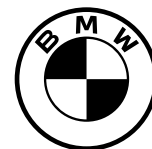


Original BMW Parts and Accessories.



Retrofit Kit: M Performance Light Carpet (Retrofit)

All BMW models, as per the table

Development code	BMW model	OVT SG/Connector/PIN (courtesy lighting)
F20 F21	1 Series 5-door 1 Series 3-door	A173 FEM/9B/52
F40	1 Series	A258 BDC/9B/52
F44	2 Series Gran Coupé	A258 BDC/9B/52
F70	1 Series 5-door	A528 BCP/9B/52
F22 F23	1 Series Coupé 1 Series Convertible	A173 FEM/9B/52
G42	2 Series Coupé	A258 BDC/9B/52
F74	2 Series Gran Coupé	A528 BCP/9B/52
F30 F31 F32 F33 F80 F82 F83	3 Series Saloon 3 Series Touring 4 Series Coupé 4 Series Convertible M3 Saloon M4 Coupé M4 Convertible	A173 FEM/9B/52
G30 G31 F90	5 Series Saloon 5 Series Touring M5 Limousine	A258 BDC/9B/52
G80 G81 G82 G83	M3 Limousine M3 Touring M4 Coupé M4 Convertible	A258 BDC/9B/52

Retrofit kit number

63 17 5B61FE1 M Performance Light Carpet (Retrofit)

Installation time

The installation time amounts to **approx. 2.00 hours** for both sides of the car. This may vary depending on the condition of the car and its equipment package.

The installation time shown does not include any time spent on programming/coding.

The calculation of the total costs for the programming time must be factored into the calculation of retrofitting costs (must not be invoiced under the warranty).

Important information

These installation instructions are primarily designed for use within the BMW dealership organisation and by authorised BMW service companies.

These installation instructions are intended for use by qualified specialist staff trained on BMW cars with the relevant expert knowledge.

All work must be completed using the latest BMW repair manuals, wiring diagrams, servicing manuals and work instructions, in a logical order, using the prescribed tools (special tools), and observing current health and safety regulations.

If you experience installation or functional problems, restrict troubleshooting to approx. 0.5 hours for mechanical work and 1.0 hour for electrical work.




To avoid unnecessary extra work and/or costs, send an inquiry to the technical parts support team.

Quote the following information:

- VIN,
- retrofit kit part number,
- a detailed description of the problem,
- any work already carried out.

Do not archive the printout of these installation instructions. The current version can be found in the EPC.

Pictograms

-  Denotes instructions that draw your attention to dangers.
-  Denotes instructions that draw your attention to special features.
-  Denotes the end of the instruction or other text.

Installation information

Ensure that the cables and/or lines are not kinked or damaged as you install them in the car. Costs incurred by this will not be reimbursed.

Additional cables/wires that are installed must be secured with cable ties. If the specified PIN chambers are occupied, bridges, double crimps, or twin-lead terminals must be used.

The colours of the cables in the car may differ depending on the year of manufacture and model. In this case refer to the specified PIN chambers.

All illustrations show LHD cars; proceed in the same way on RHD cars.

Installation is shown in some instances on one side of the car only; proceed in the same way on the other side.

The installation work is shown on a **G80** car. If the steps for other models differ, they are described separately.

Special tools required

None

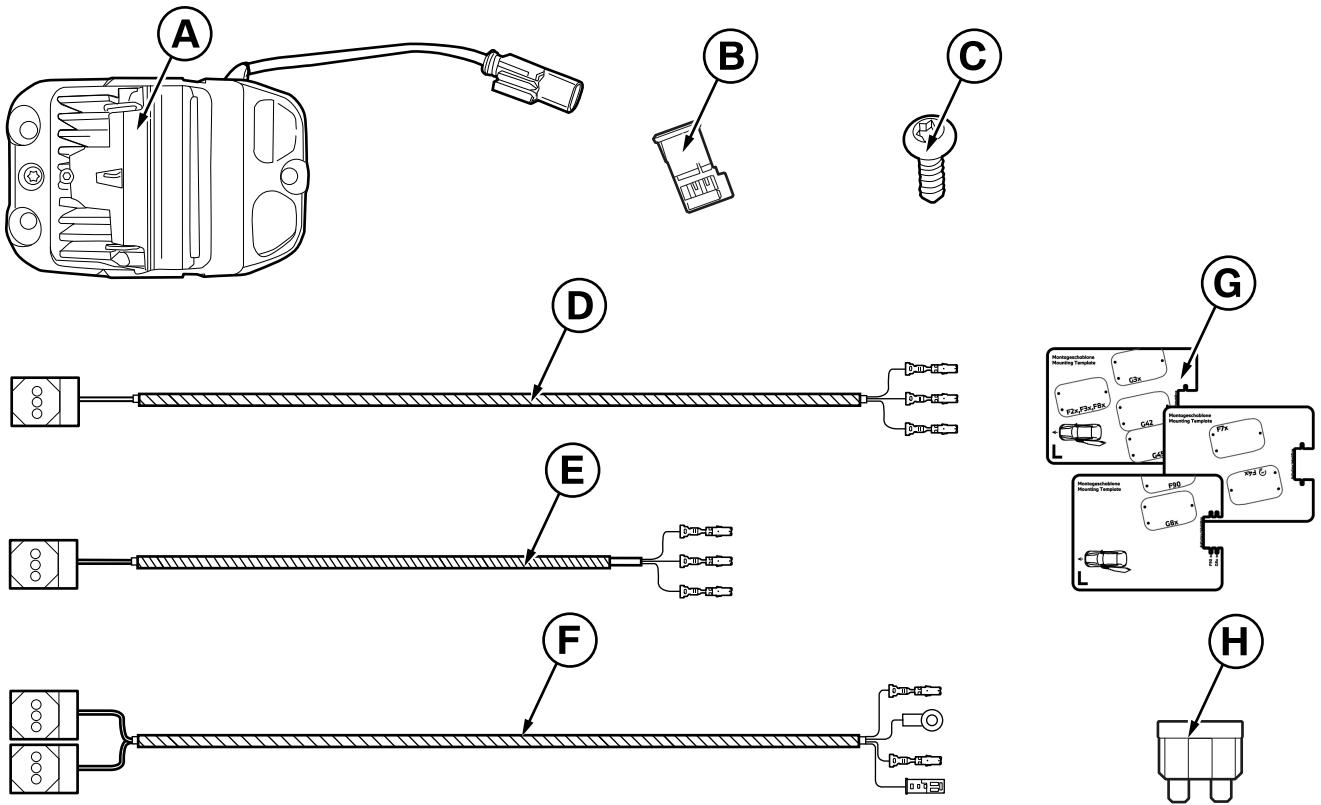
Cable colours

BL	Blue	GR	Grey	RT	Red
BO	Bordeaux	L-GN	Light green	SW	Black
BR	Brown	NT	Natural	TR	Transparent
GE	Yellow	OR	Orange	VI	Violet
GN	Green	RO	Pink	WS	White

Table of contents

Section	Page
1. Parts list: retrofit kit for light carpet (retrofit)	4
2. Preparations	5
3. Connection overview, retrofit wiring harness for light carpet	6
4. Installation and cabling diagram	8
5. Installation of light carpet	9
6. Concluding work and coding	13
7. Wiring diagram	14

1. Parts list: retrofit kit for light carpet (retrofit)



G80 0100 V

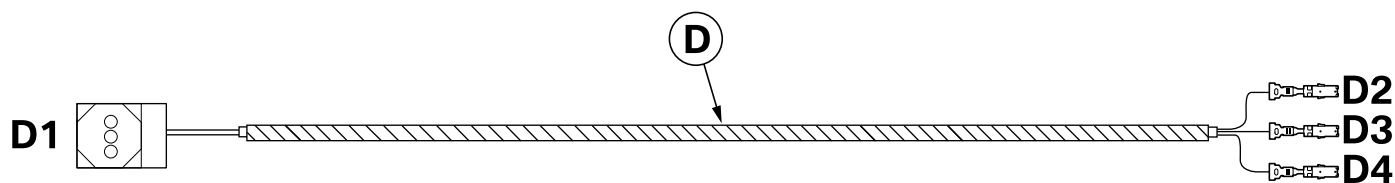
Legend

- A** Holder with projection module left/right (left shown, 2x)
- B** Connector (2x)
- C** Screw (6 x)
- D** Long connection cable
- E** Short connection cable
- F** Distribution cable
- G** Template left/right (left shown, 3x)
- H** Fuse 5A (not included in parts kit, see EPC for details and part number)

2. Preparations

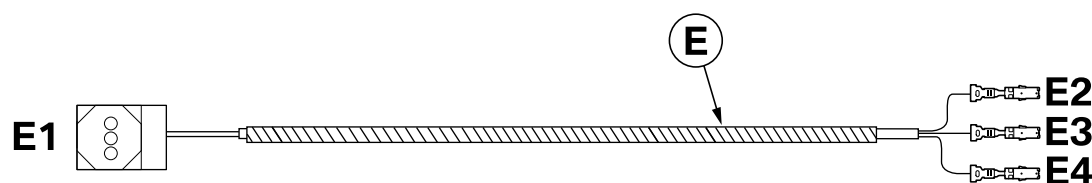
The following components must be removed first of all	ISTA/AIR No.
Disconnect vehicle battery	---
Passenger side, footwell trim	---

3. Connection overview, retrofit wiring harness for light carpet



G80 0114 V

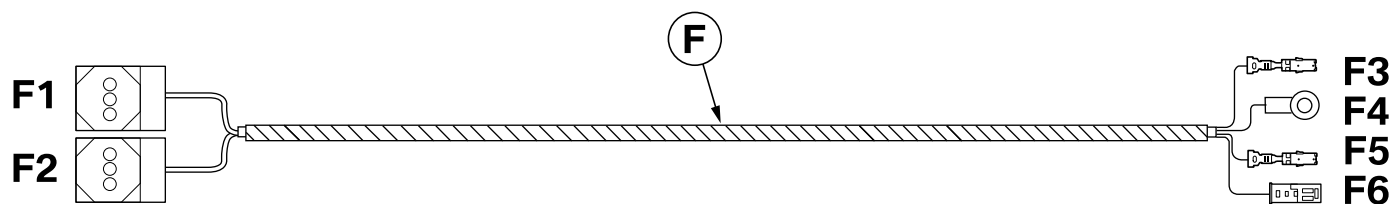
Position	Designation	Signal	Cable colour/ cross-section	Connection location in the car	Abbreviation/ slot
D	Connection cable for projector, long	---	---	---	---
D1	SW 3-pin socket housing	---	---	At holder with projection module A	---
D2	Steady plus	Terminal 30B	RT 0.35 mm ²	3-pin socket housing, SW, F	---
D3	Earth	Ground	SW 0.50 mm ²	3-pin socket housing, SW, F	
D4	Signal line	Courtesy lighting	GE 0.35 mm ²	3-pin socket housing, SW, F	



G80 0118 V

Position	Designation	Signal	Cable colour/ cross-section	Connection location in the car	Abbreviation/ slot
E	Connection cable for projector, short	---	---	---	---
E1	SW 3-pin socket housing	---	---	At holder with projection module A	---
E2	Steady plus	Terminal 30B	RT 0.35 mm ²	3-pin socket housing, SW, F	---
E3	Earth	Ground	SW 0.50 mm ²	3-pin socket housing, SW, F	
E4	Signal line	Courtesy lighting	GE 0.35 mm ²	3-pin socket housing, SW, F	

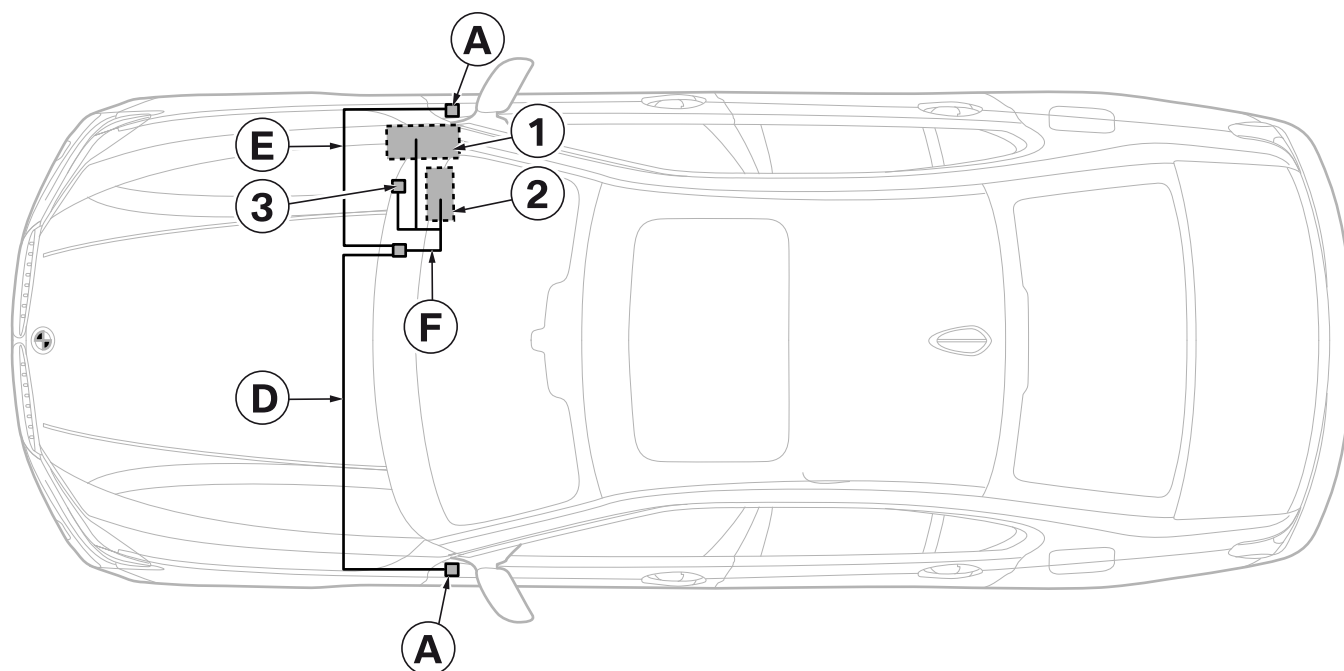
3. Connection overview, retrofit wiring harness for light carpet



G80 0115 V

Position	Designation	Signal	Cable colour/ cross-section	Connection location in the car	Abbreviation/ slot
F	Distribution cable	---	---	---	---
F1	3-pin socket housing, SW	---	---	At long connection cable D	---
F2	3-pin socket housing, SW	---	---	At short connection cable E	---
F3	Steady plus	Terminal 30B	RT 0.35 mm ²	Power distributor Z44	---
F4	Earth	Ground	SW 0.50 mm ²	Ground support point Z10*32B	---
F5	Signal line	Courtesy lighting	GE 0.35 mm ²	see table on page 1	PIN 52
F6	Signal line with connector	Courtesy lighting	GE 0.35 mm ²	At signal cable for courtesy lighting	---

4. Installation and cabling diagram

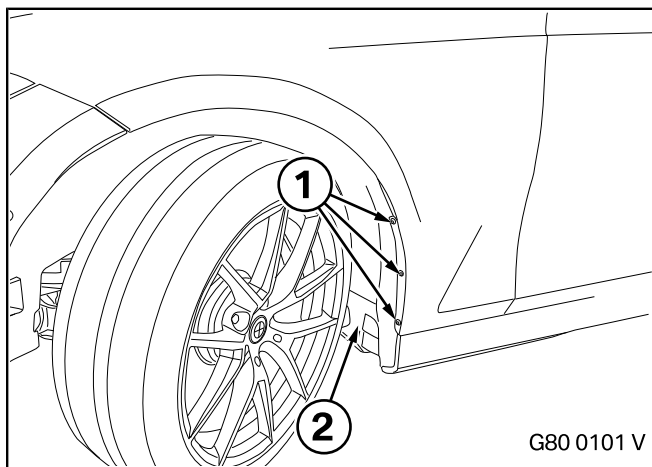


G80 0116 V

- A** Holder with projection module left/right
- D** Connection cable for projector, long
- E** Connection cable for projector, short
- F** Distribution cable

- 1** Front right power distributor **Z44**
- 2** Courtesy lighting (**see table on page 1**)
- 3** Ground support point **Z10*32B**

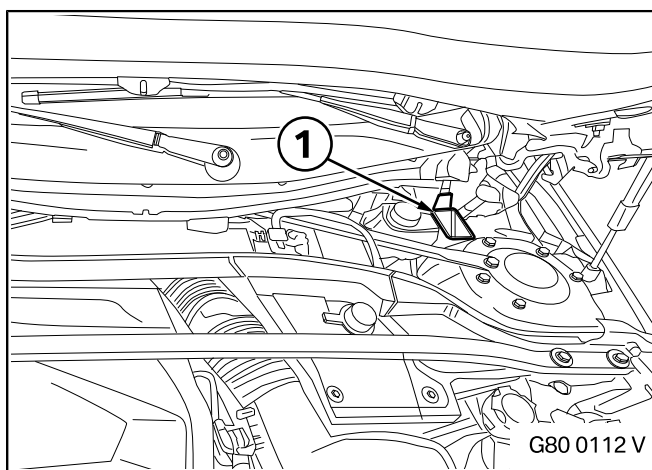
5. Installation of light carpet



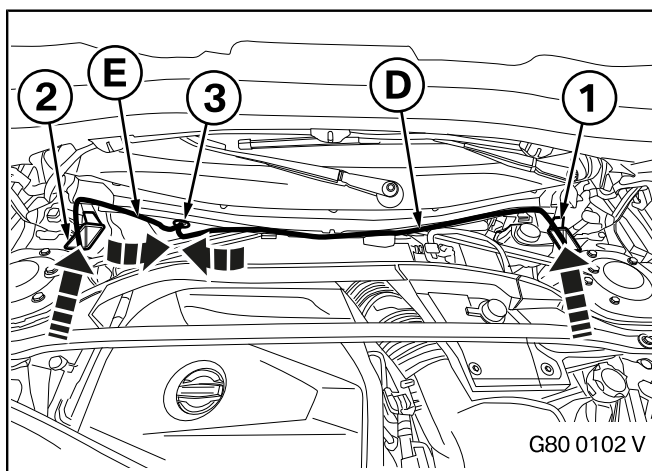
Turn the steering wheel so that the wheel arch trim is accessible.

Remove blind rivet (1) from the wheel arch

Completely remove the wheel arch trim (2).



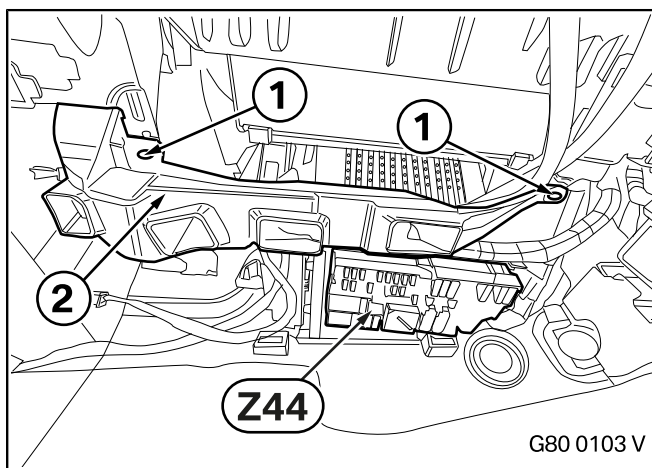
Pull off the windscreen cowl (1) on both sides of the engine compartment.



Push the end with cables **D2, D3, D4** of the long connection cable **D** on the driver's side through the wind guide (1) into the engine compartment from below and route it to the rubber grommet (3) in the engine compartment.

Push the end with cables **E2, E3, E4** of the short connection cable **E** on the passenger's side through the wind guide (2) into the engine compartment from below and route it to the rubber grommet (3) in the engine compartment.

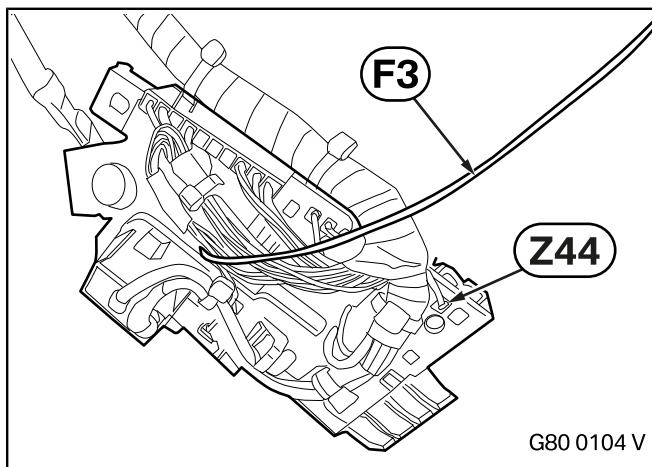
Drill open the rubber grommet (3) and feed both ends of the connection cable **D, E** through the grommet (1) into the passenger cabin.



On the passenger side, unscrew the screws (1) and remove the air guide (2).

Unclip the power distributor **Z44** at the front right.

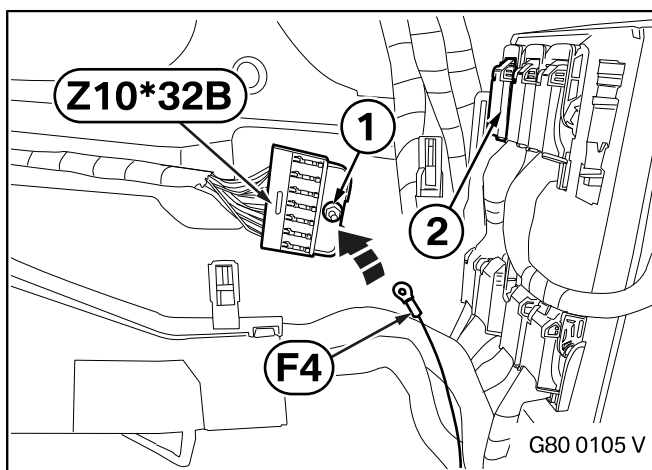
5. Installation of light carpet



⊞ Depending on the model, select a suitable empty fuse holder. It has to be connected to a steady plus (**KL.30B**) and secured with a 5A fuse **H**. ◀

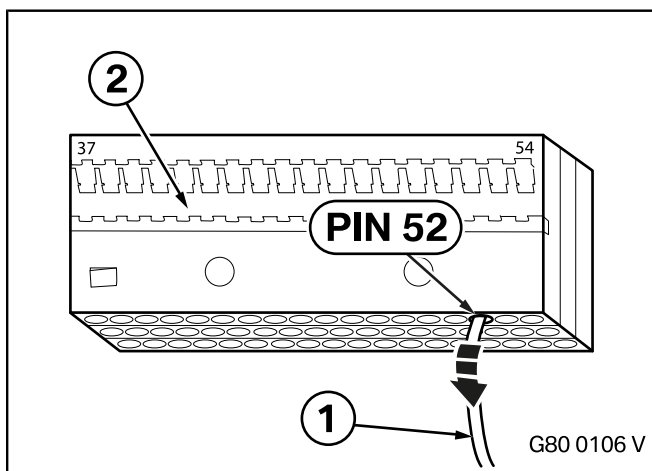
Insert the red cable **F3** of distribution cable **F** into an empty pin for steady plus (**KL.30B**) from the back.

Press fuse **H** into this empty fuse holder from the front.

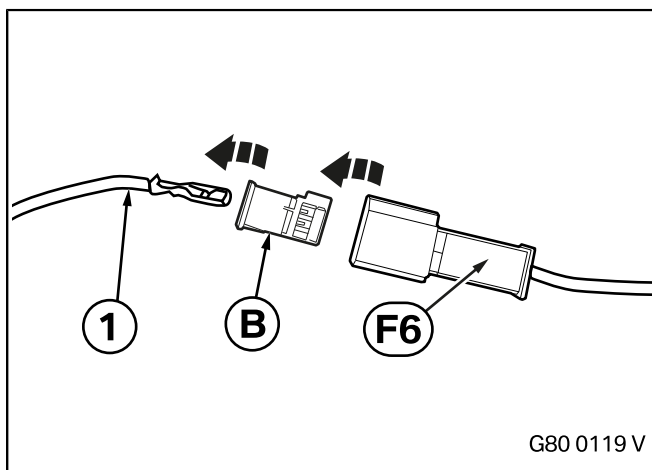


Fasten the black ground cable **F4** with an eyelet from distribution cable **F** to the screw of grounding point **Z10*32B** using the existing nut (1).

Unclip connector (2) (see table on page 1) in acc. with **ISTA/AIR**.

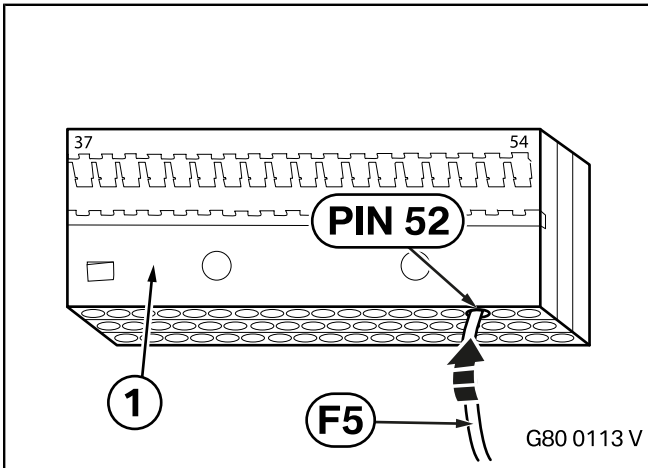


Disconnect cable (1) **PIN 52** from connector (2) (see table on page 1).

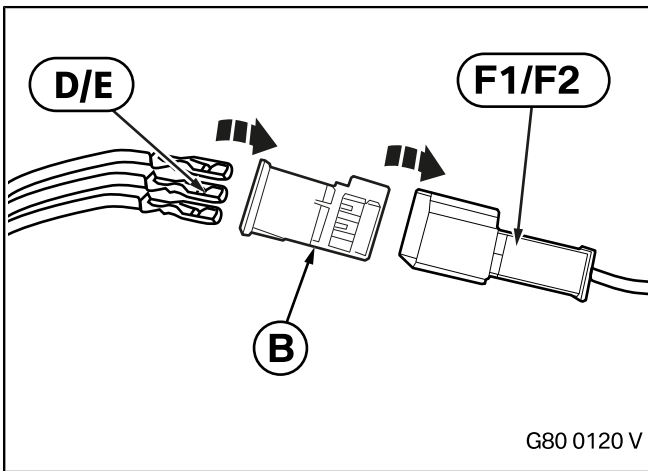


Attach connector **B** to the disconnected cable (1). Connect this **B** connector to the yellow wire with connector **F6** from distribution cable **F**

5. Installation of light carpet

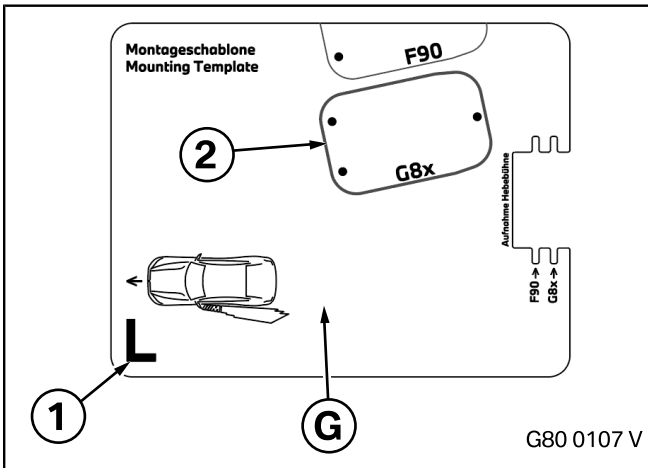


Connect the yellow cable **F5** of distribution cable **F** into pin **52** of connector (1).



Attach a connector **B** to the three female connectors **D2, D3, D4** of the long connection cable **D** and the three female plugs **E2, E3, E4** of the short connection cable **E**, then connect each to a socket housing **F1, F2** from distribution cable **F**.

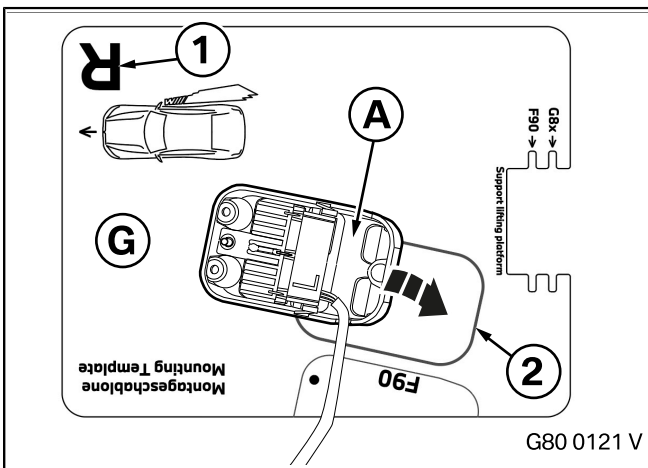
Neatly stow all cables.



Select the appropriate template **G** for the specific vehicle. The templates are printed on the front and back and can thus be used on both the left and the right. ◀

Position template **G** with the appropriate marking (1) for the vehicle side to be installed facing up.

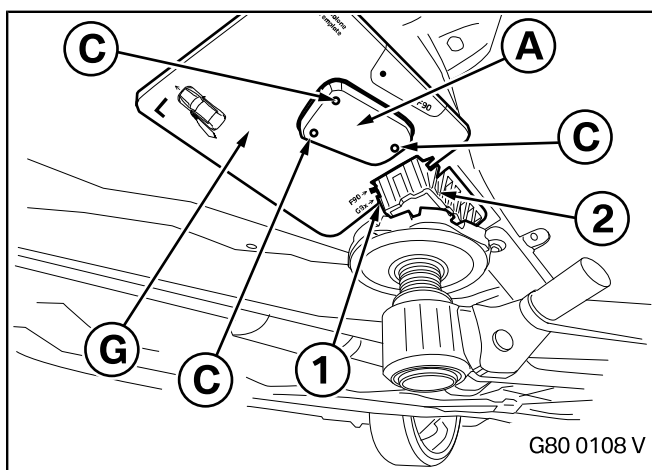
Break out the cutout (2) for the appropriate vehicle.



Turn template **G** over to display the labelling (1) for the other side.

Insert the holder with projection module **A** into cutout (2) from above.

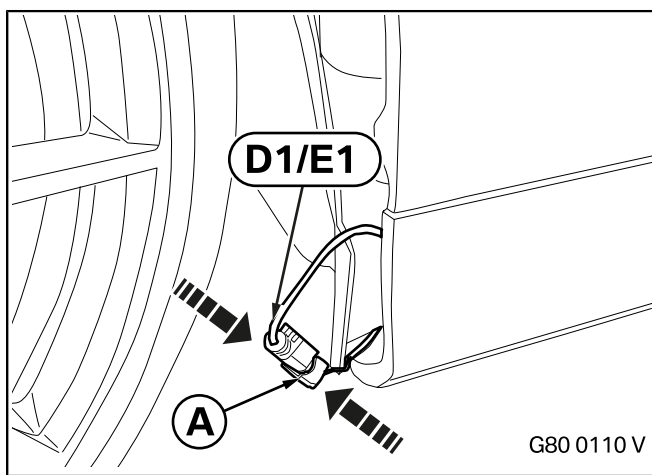
5. Installation of light carpet



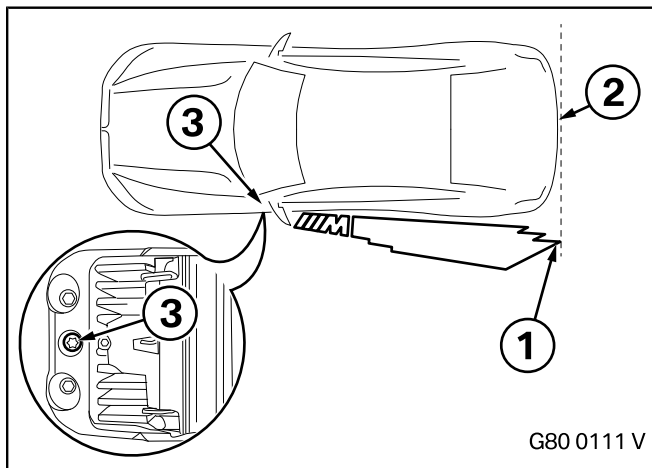
Align the contour (1) of template **G** with the contour of the car jack support (2).

Press template **G** against the car trim and securely screw the self-tapping screws **C** into the holder with projection module **A**.

Then move template **G** downward to remove it and use it analogously for the opposite side.



Connect the plug connectors from the holder with projection module **A** to the long connection cable **D1**/short connection cable **E1** and store them in the cavity.



▶ Align the end of the light carpet (1) with the end of the car (2). Carry out this work step with a second person. A white paper placed vertically on the ground works well for checking the alignment. ◀

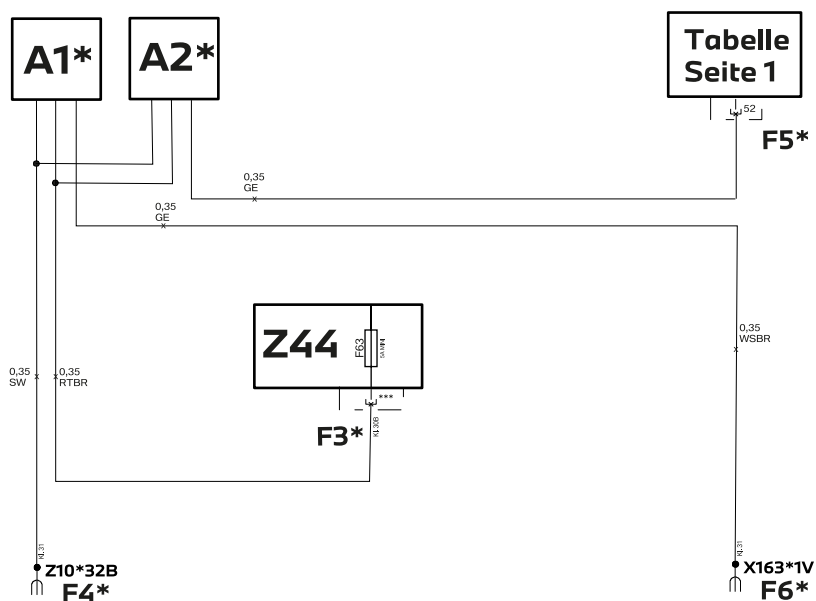
Adjust the light carpet by turning the screw (3) on the underside of the vehicle. Turn the screw (3) until the end of the light carpet (1) aligns with the vehicle's end (2).

6. Concluding work and coding

The retrofit system does not require coding.

- Passenger side, footwell trim, inside
- Install windscreen cowl
- Fasten the wheel arch trim
- Connect the battery

7. Wiring diagram



G80 0117 V

Legend

- A1*** 3-pin socket housing, SW, at projector **A***
A2* 3-pin socket housing, SW, at projector **A***
F3* Socket contact on power distributor **Z44**
F4* With ring eyelet to ground support point **Z10*32B**
F5* Socket contact in plug as set out in **table on page 1** PIN 52
F6* Socket contact on signal cable for courtesy lighting **X163*1V**

- Table, page 1** Courtesy lighting
Z44 Front right power distributor
Z10*32B Ground support point, front right

All of the designations marked with * apply only to these installation instructions or this wiring diagram.

Cable colours

BL	Blue	GR	Grey	RT	Red
BO	Bordeaux	L-GN	Light green	SW	Black
BR	Brown	NT	Natural	TR	Transparent
GE	Yellow	OR	Orange	VI	Violet
GN	Green	RO	Pink	WS	White